

DESCRIPTION AND SPECIFICATIONS

The Roll Cutter is a lightweight, high-speed tool designed for quickly cutting sheet metal up to 0.8 mm thickness.

TECHNICAL DATA

TOOL MAX THICKNESS

ZINC, ALUMINIUM, COPPER: 0.8mm

STEEL: 0.7mm

STAINLESS STEEL: 0.5mm

MAX SPEED

25m/min.

TOOL WEIGHT

2.4kg

DRIVER/DRILL REQUIREMENTS

RECOMMENDED TORQUE

- 60 N m (535 in./lb.)
- 500 rpm (1st gear)

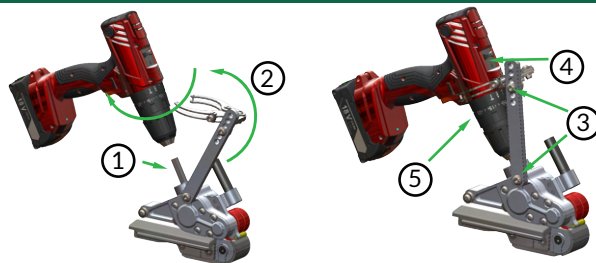
MAX. TORQUE

- 150 N m (1325 in./lb.)
- 500 rpm (1st gear)



Do not use impact driver or hammer drill mode while operating this tool.

MOUNTING

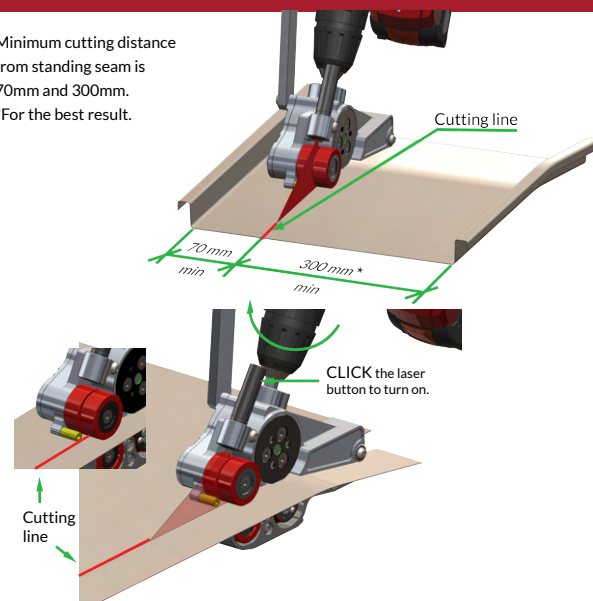


1. Position the cordless drill on the driving axle. Tighten it.
2. Position the fixing clamp on the cordless drill.
3. Tighten with 5mm allen key.
4. Set cordless drill to 1st speed.
5. Set the cordless drill to drilling mode. (⚠️ No hammer mode !!!)

FREE CUTTING

Minimum cutting distance from standing seam is 70mm and 300mm.

*For the best result.



1. Cut using the yellow/gold marker is 0 reference.
**Front wheels pull the material and provide cutting stability.
2. Cut using the marking laser. Laser is turned on by pressing button at the top. Laser has an automatic shut down to save the battery. To restart the laser, double press the button at the top.

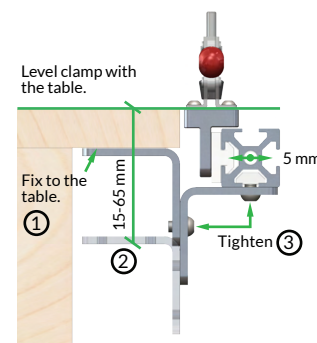


Warning, do not point laser into eyes!

RAIL KIT (SOLD SEPARATELY) - SKU 0310



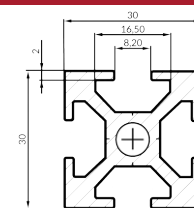
RAIL MOUNTING



1. Fix the bracket to the table.
2. Adjust aluminium profile height with the table.
3. Adjust profile along the table.

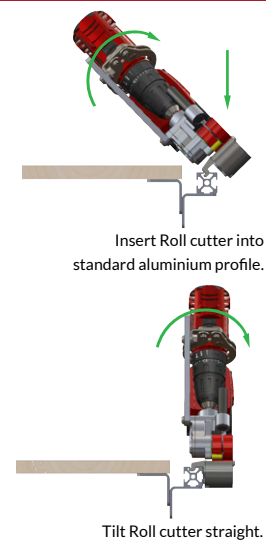


Do not cut more than 1 layer.
Do not force the roll cutter when stopped.



Aluminium profile dimensions.

USAGE



Buschmann tools
INVENTION | PRODUCTION

DISCOVER ESSENTIALS



FALZBENDER



PERFECT BENDER



DOUBLE FALZ SEAMER



PLASTIC PLIERS



FALZ CUTTER



PIPEXPAND PRO



Copyright © 2024 Buschmann tools. All rights reserved.

SAFETY INFORMATION

- Any person who is put in charge with the start-up, operation, maintenance and repair of the machine must have read and understood the operating instructions, specifically the chapter on safety.
- Before setting up the tool always make sure to remove the battery from the cordless drill!
- When performing operation that's not associated with the cutting task the battery must be removed from the cordless drill!
- Carefully read all safety information before operating the ROLL CUTTER and save it for future reference.
- When working with ROLL CUTTER on a roof, always use roof lifeline and follow all safety regulations.
- Before using ROLL CUTTER for the first time, carefully remove all packing materials.
- Always make sure that ROLL CUTTER is properly assembled before using.
- Always make sure the battery is disconnected from the ROLL CUTTER cordless drill machine and only then clean the tool or replace parts.
- During the work hold hands, fingers, hair, clothes and other tools at a safe distance. Never place your hands, fingers or tools between the rolls.
- Stay alert. Watch what you are doing. Use common sense. Do not operate tool when you are tired or under the influence of drugs, alcohol or medication. A moment of inattention while operating may result in serious personal injury.
- Do not wear loose clothing or jewellery. Keep your hair, clothing, and gloves away from moving parts. Loose clothes, jewellery or long hair can be caught in moving parts.
- After using ROLL CUTTER, make sure that the tool isn't wet and then put it in the box. If sand and dust accumulate around the rollers, clean them.
- Do not expose the ROLL CUTTER extreme temperatures, it is not recommended to operate the device in cold weather (below zero degrees). Do not expose ROLL CUTTER to rain or use it under moist or wet condition.
- This tool is not intended for use by children. Ensure that children do not have access to the ROLL CUTTER.
- When ROLL CUTTER and accessories are not in use, keep them in a safe place.
- Always wear goggles or safety glasses.
- Always wear protective gloves when operating and performing maintenance.
- It is strictly forbidden to install, dismantle, replace, and modify components, parts and equipment not provided for in this manual without written agreement from the manufacturer.

GENERAL INFORMATION AND WARRANTY

OPERATING INSTRUCTION

- The ROLL CUTTER is to be operated exclusively by qualified and authorised persons who must know the national accident-prevention rules.
- Carefully remove packaging and all promotional labels before using ROLL CUTTER for the first time.
- Wear adequate working clothes. Long hair should be protected by a hairnet. Put on protective gloves.
- Obligated to check the ROLL CUTTER for externally visible damage and defects before starting work and to notify and eliminate any changes (including the operation behavior) that affect the safety.
- Sight-checking all screws- tighten screws if necessary.

FAILURE PREVENTION

- if ROLL CUTTER does not work - make sure the drill battery is charged ;)
- if rotary rolls are starting to rust - after use the tool has not been carefully cleaned.
- if the tool stops - you can't use it on the specific place. If the cordless drill is powerful enough - it will withstand the force, but the tool will break, if the cordless drill is not powerful enough - it will break, but the tool will withstand the force.
- Do not force the roll cutter when stopped midway. Carefully reverse and notify the issue. Too thick material, too strong material, too many layers, machine has cut into side standing seam.

CARE, MAINTENANCE AND STORAGE

- Always make sure the battery is disconnected from the cordless drill and only then clean the tool!
- Clean the device every time after using it.
- Clean ROLL CUTTER from moisture, dust and sand.
- Keep the rotary parts free from dust, sand and moisture.
- Check all screws periodically.
- It is strictly forbidden to put and keep a wet or damp ROLL CUTTER in a case.

WARRANTY

We guarantee that all ROLL CUTTER is made of high quality materials and does not have any manufacturing defects. In case your device turns up the following defects, we will eliminate them in accordance with the law free of charge. Therefore, we give 1 (one) year limited warranty on our tools from the date of invoice. Limited warranty applies only to first sale. You must contact the company that has sold the product to file claims. Be sure that You have the purchase document! The device must be delivered for repair in a complete set.

If ROLL CUTTER is repaired by an unqualified person, we can no longer guarantee the quality of the device. Also, we can not guarantee the quality of the device if:

- the tool is mechanically damaged, dropped off or otherwise broken;
- have been used on incorrect working methods;
- have been used with unsuitable accessories;
- the tool is used for unforeseen purposes;
- the tool is used after detection of a defect;
- the tool used by a person without the necessary skills;
- the tool was uncared for;
- the construction and parameters of the tool have been changed.

The ROLL CUTTER is a complex combination of mechanical parts and has a lot of moving and wearing off parts. Wearing off parts is a normal phenomenon, not a production defect. In result of normal usage, worn parts will not be exchanged for free. Wearing parts are for example: PU rolls, plastic parts, cutting rollers, drive shaft.

SKU#0300

WEIGHT 2.4 KG

